

## **Installation – wall outlet and bracket**

This wall outlet incorporates an adjustable handset holder which accepts the conical end of the shower hose to hold a handset in place.

1. Identify all components are present prior to installation.
2. Decide the most appropriate method of fixing to suit your application and the final position for the outlet.

### **Fixing type A**

3. Plumb up the pipework from the shower to a 15mm x ½" BSP elbow with fixing lugs (for rigidity). Make sure the depth of the elbow suits the finished wall and the length of thread on the outlet. Screw in the threaded nipple (2) into the elbow using a suitable sealant.

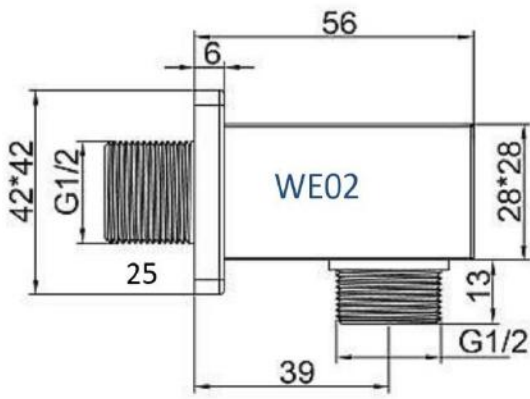
**NOTE:** - Before finishing the installation turn on the water supplies to check both correct system function and for any leaks from the joints and connections.

4. Finish wall leaving a hole to allow the wall outlet (1) to be screwed into the threaded nipple (2) after finishing the wall.
5. Using suitable sealant, screw the outlet into the threaded nipple with shroud (3) in place.

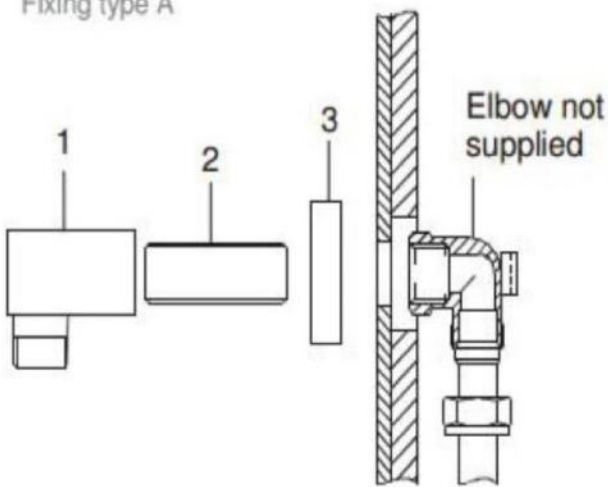
### **Fixing type B**

3. Using suitable sealant, screw the outlet (1) onto the threaded nipple (2).
4. Place the shroud (3) over the threaded nipple (2) and onto the wall outlet body (1) prior to fixing it to the wall.
5. Fix the outlet to the wall and secure in place with the G1/2 Nut (4, not supplied) connect to pipework in wall using appropriate adaptor and sealant (not supplied).

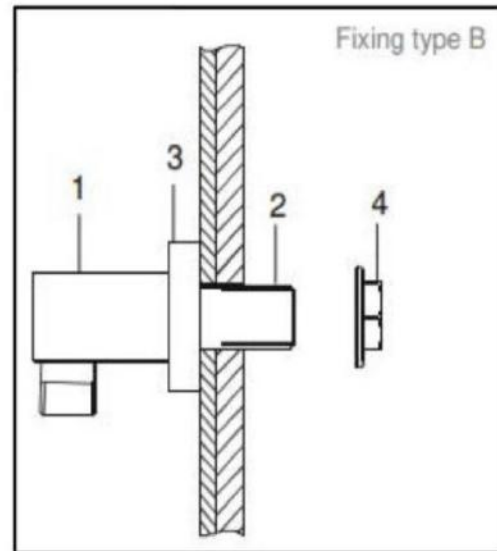
**NOTE:-** Before finishing the installation turn on the water supplies to check both correct system function and for any leaks from the joints and connections.



Fixing type A



Fixing type B



## 5. cleaning and maintenance

Your fitting has a high quality finish and should be treated with care to preserve the visible surfaces.

All surface finishes will wear if not cleaned correctly. The only safe way to clean your waste is to wipe with a damp cloth. Stains can be removed by using washing up liquid. All bath cleaning powders and liquids will damage the surface of your fitting, even the non-scratch cleaners.

NOTE:- Never use abrasive detergents or disinfectants or those containing alcohol, hydrochloric acid or phosphoric acid.

### maintenance

In order to maintain optimum spray we advise that the handsets/ fixed shower heads be regularly cleaned, particularly in hard water areas. They incorporate soft rubber nozzles that can be flexed regularly by gently rubbing during use to help the holes clear.